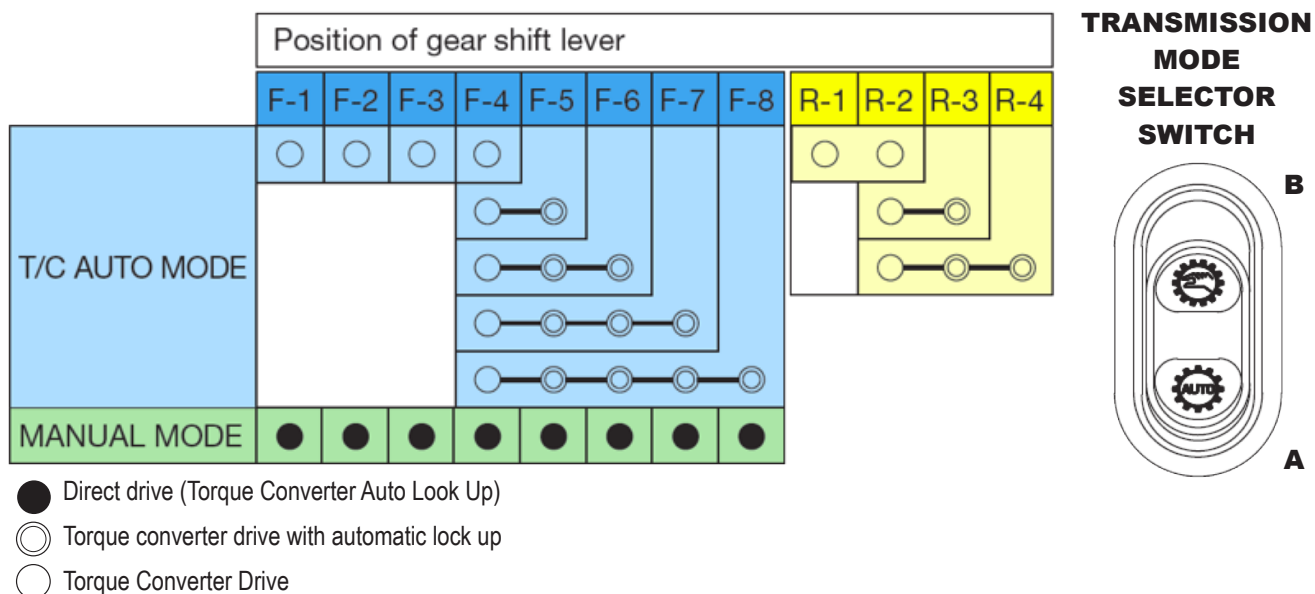


TIP OF THE WEEK

MODEL **GD655-6**
FEATURE **DUAL MODE TRANSMISSION**
STD/OPT **STANDARD**
SUGGESTED SETTING **APPLICATION DEPENDENT**



The GD655-6 offers a dual-mode transmission as standard. The transmission can function as a conventional direct drive (manual) or a torque converter (auto) type transmission for optimal performance in all applications and operating conditions. Changing modes is done by pressing the T/M mode selector switch to toggle between Auto and Manual modes.

Transmission Mode Selector Switch Position	
A: Auto/Torque Converter Mode	B: Manual/Direct Drive Mode
Use this mode for easy, two-pedal machine operation and automatic shifting in the higher ranges.	This mode utilizes the lock up clutch in all gears. The grader will function like a conventional direct drive with inching capabilities.
Recommended Applications: <ul style="list-style-type: none"> • Fluctuating loads • Snow clearing • Long distance travel • Low speed, heavy grading 	Recommended Applications: <ul style="list-style-type: none"> • Fine grading • Applications where consistent travel speed is required