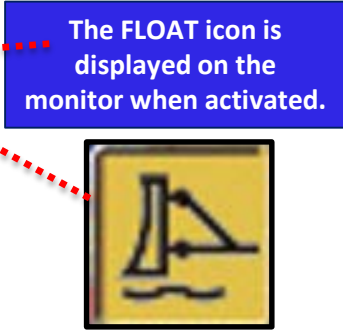
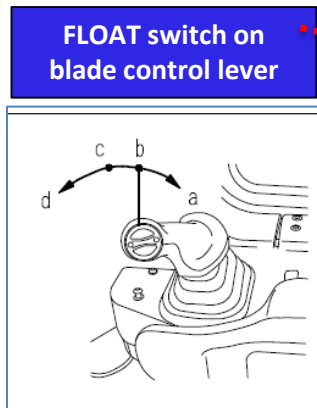


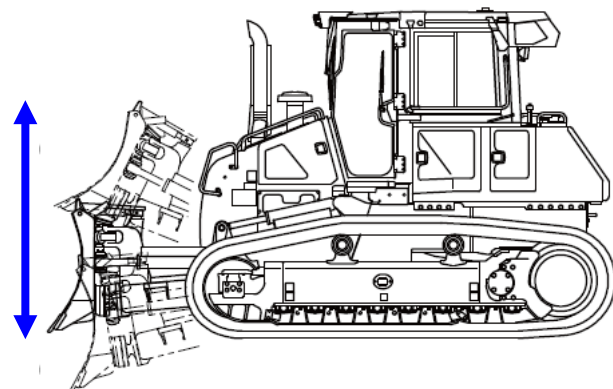
TIP OF THE WEEK

MODEL..... D37-23 to D61-23, D61-24, D155AX-8
 FEATURE..... Dozer Blade Float Function
 STD/OPT..... Standard
 SUGGESTED SETTING Job Dependent



To activate FLOAT function: Press the FLOAT switch and push the blade control lever full forward to position “d” and hold for 1 second. An electronic beep will sound and a float icon appears on the monitor. The lever will return to hold position “b”.

To deactivate FLOAT, move the control lever backward or forward from “b”. An electronic beep will sound and the icon no longer appears.



Komatsu dozers are equipped with a blade float function, where the blade rests on the ground and can float freely according to external forces. There are no hydraulic cylinder forces positioning the blade when float is activated.

To activate the FLOAT function, the operator simultaneously presses the blade FLOAT button on the blade control lever and pushes the lever full forward and holds for one second. An electronic beep will sound and the FLOAT icon appears on the monitor screen, indicating that FLOAT is set. To deactivate FLOAT, move the blade control lever backward or forward. An electronic beep will sound and the icon is not displayed.

Float function is useful to smooth the ground surface while travelling in reverse.

Activate the FLOAT function by pressing the switch on the blade control lever and pushing the lever full forward for 1 second.

On Komatsu dozers not equipped with a float switch, float can be activated by pushing the blade control lever full forward to the detent position and pulling backward to deactivate.