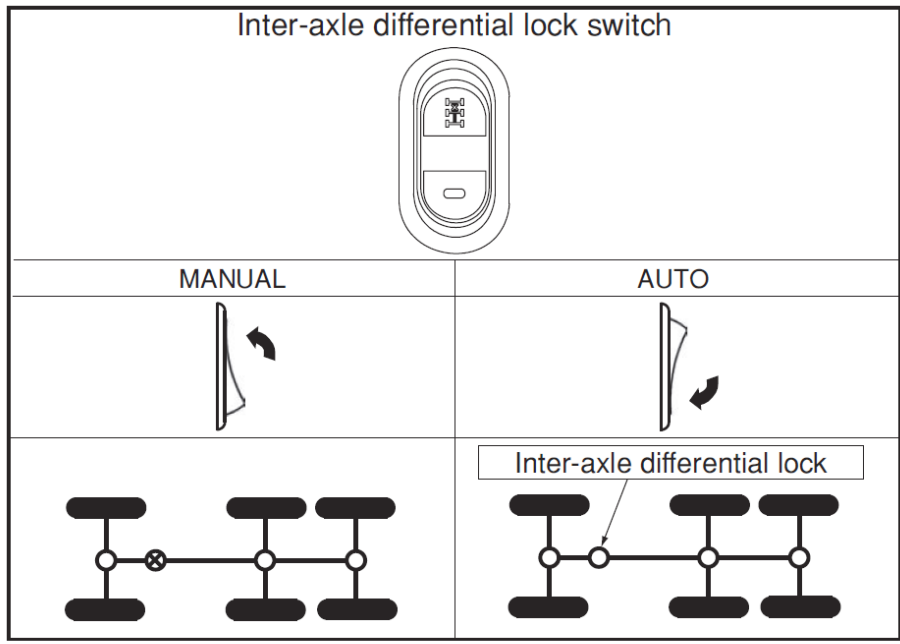


TIP OF THE WEEK

MODEL HM300-3/5 & HM400-3/5
 FEATURE Inter-axle Differential Lock Switch
 STD / OPT Standard
 SUGGESTED SETTING Application Dependent



INTER-AXLE DIFFERENTIAL LOCK SWITCH



⊗ : Actuated ○ : Cancel

INTER-AXLE DIFFERENTIAL LOCK FUNCTION

When engaged, the Inter-axle differential lock will supply power to the front axle. Therefore, all three axles will be providing tractive effort. The Inter-axle differential lock switch was installed as a running change on HM-3 trucks and is installed as standard equipment on all HM-5 trucks.

Switch Position	System Function	Recommended Application
Auto	Sensors automatically determine when to engage the Inter-axle differential lock and will do so with no input from the operator.	Normal operating conditions
Manual	Inter-axle differential lock will be engaged full-time in lower speed ranges.	Straight travel in very soft, sandy, or muddy ground conditions.

For additional information, please consult the Product Bulletin, Operator's Manual or Shop Manual. Photos may include optional equipment.

